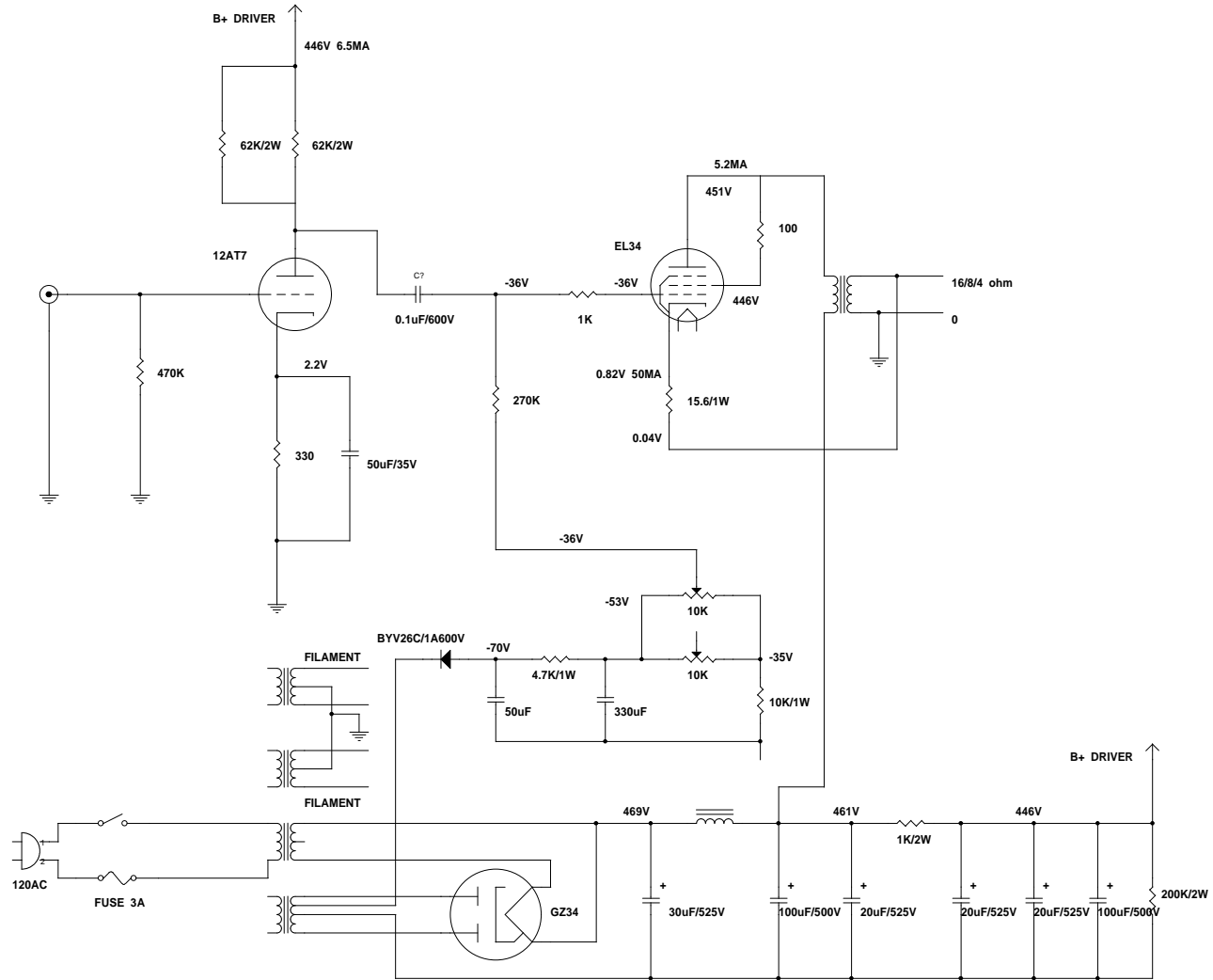


DYNACO ST70 MODIFIED SINGLE-END POWER AMPLIFIER



Title		
(Title)		
Size	Document Number	Rev
C	(Doc)	(Rev Code)
Date	Monday, August 16, 1999	Sheet 1 of 1