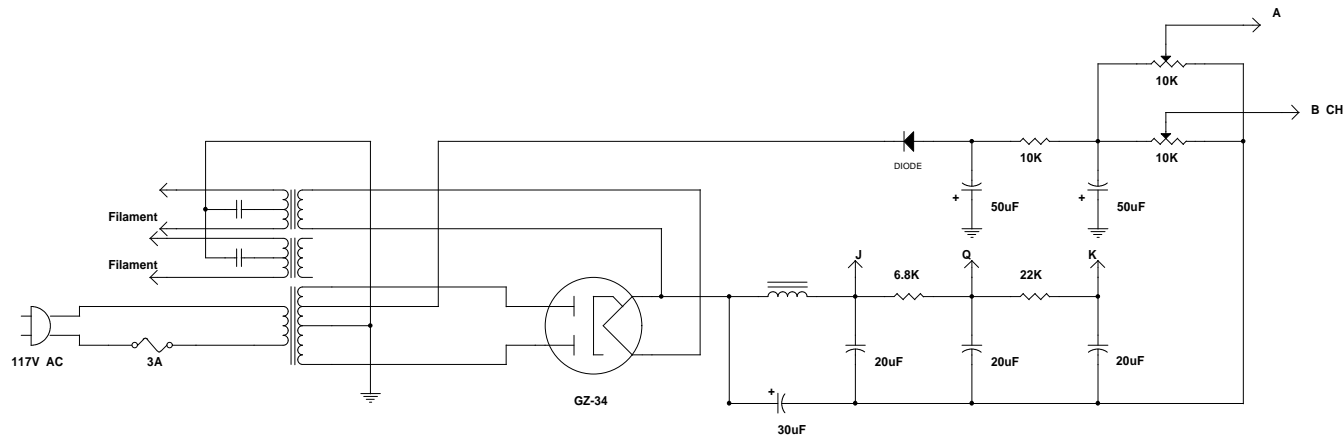
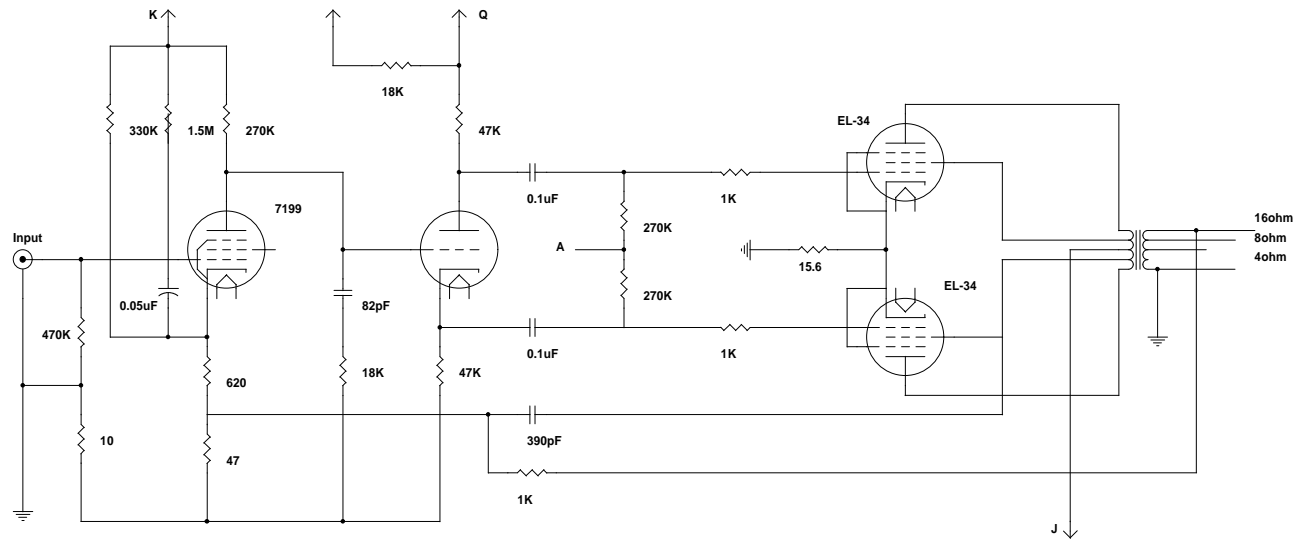


Dynaco ST-70



| | | | |
|-------|-------------------------|------------|--------|
| Title | | (Title) | |
| Size | Document Number | Rev | |
| C | (Doc) | (Rev Code) | |
| Date | Friday, August 13, 1999 | Sheet | 1 of 1 |