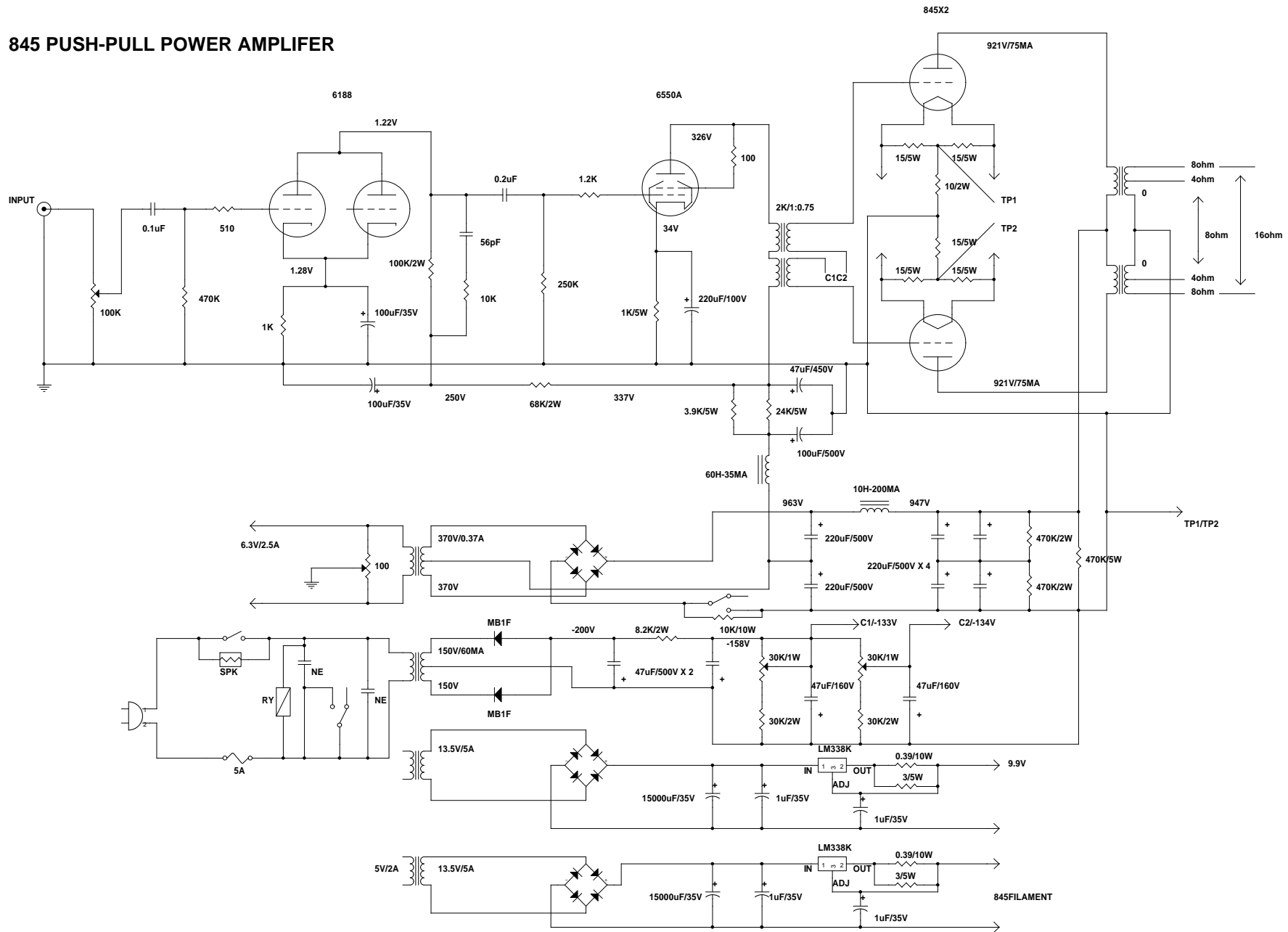


# 845 PUSH-PULL POWER AMPLIFIER



Title		
(Title)		
Size	Document Number	Rev
C	(Doc)	(Rev C49)
Date	Saturday, August 14, 1999	Sheet 1 of 1