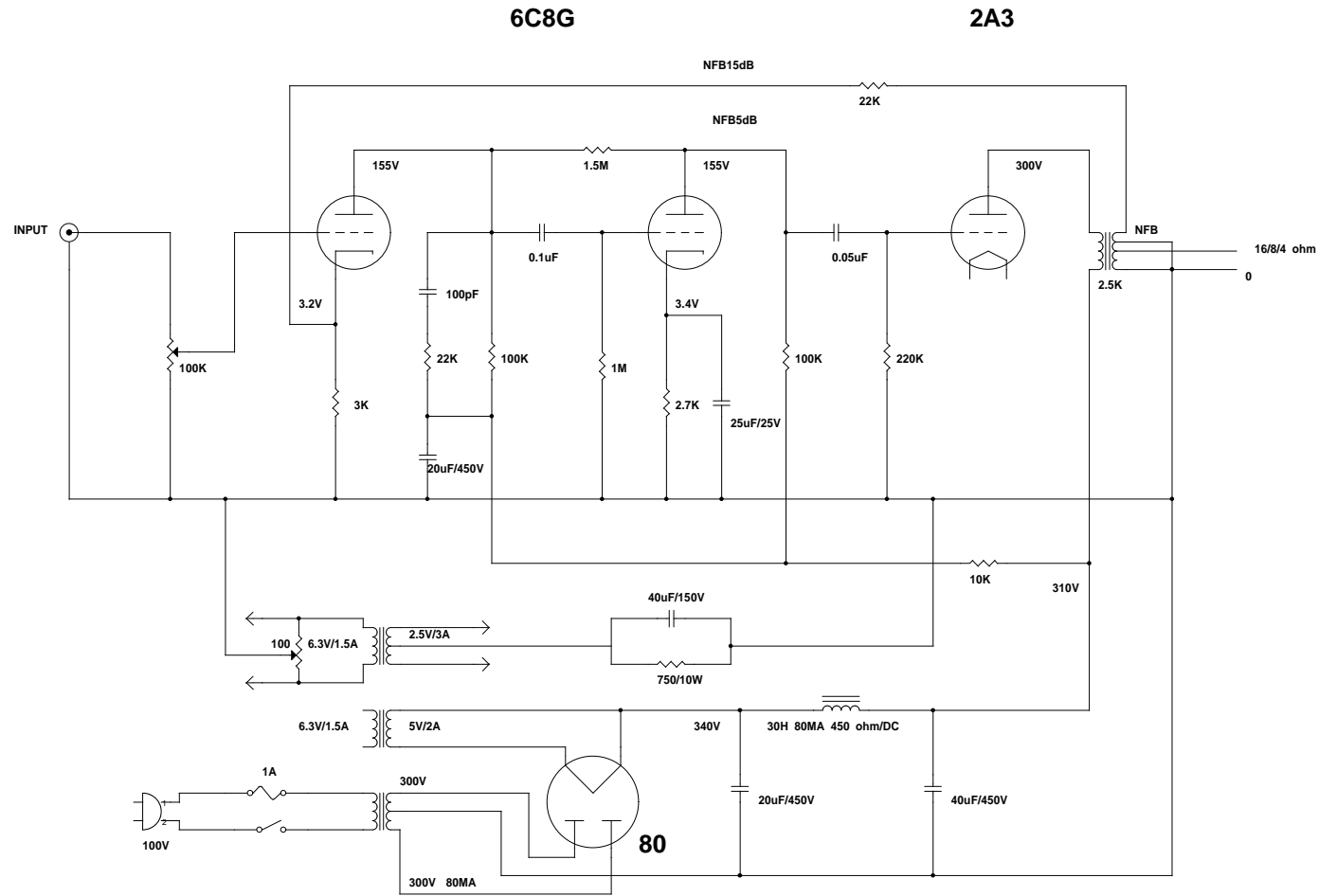


2A3 SINGLE END POWER AMPLIFIER



Title		
(Title)		
Size	Document Number	Rev
C	(Doc)	(Rev Code)
Date	Sunday, August 15, 1999	Sheet 1 of 1