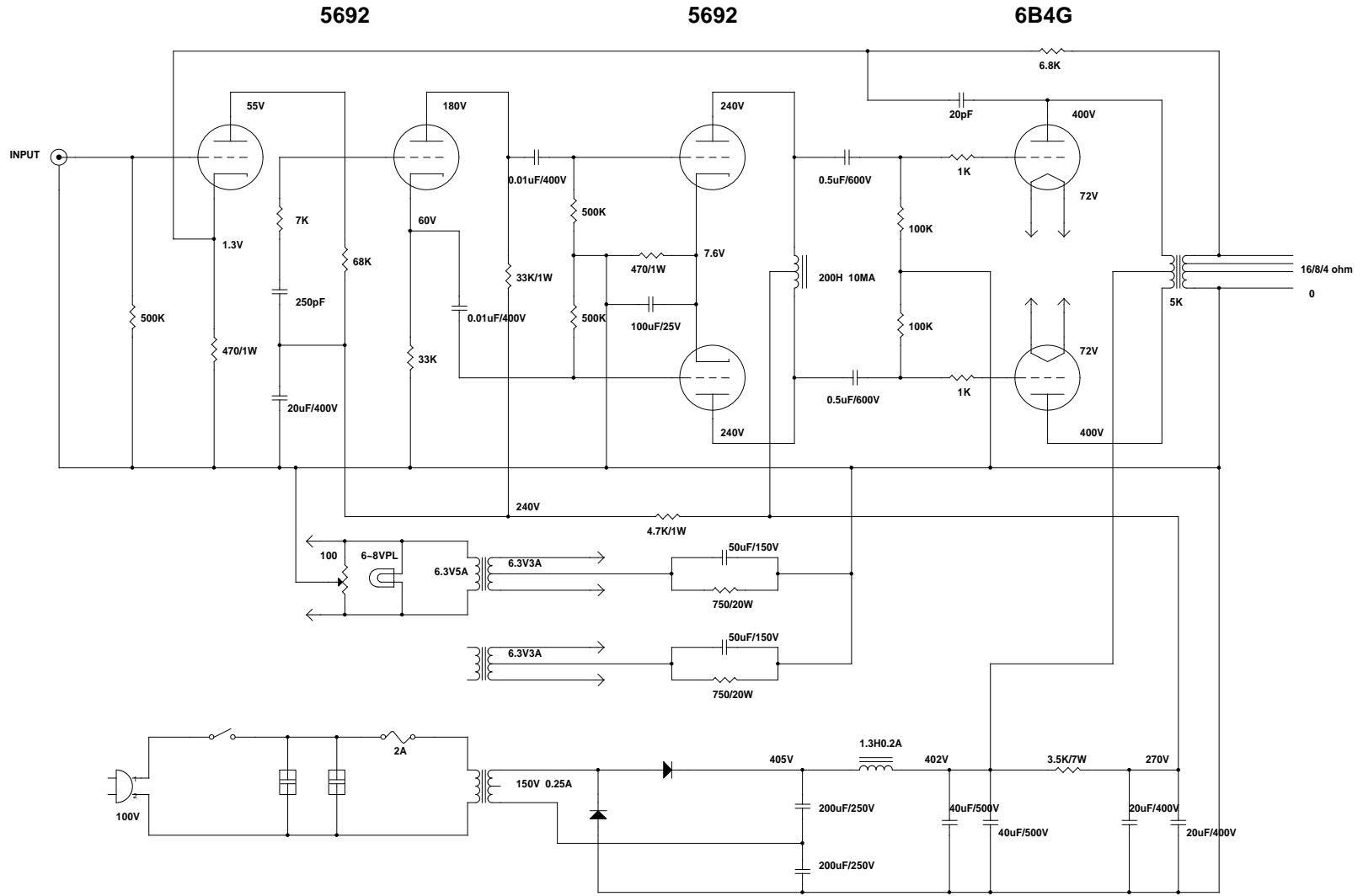


6B4G PUSH-PULL POWER AMPLIFIER



Title		
(Title)		
Size	Document Number	Rev
C	(Doc)	(Rev C04e)
Date	Sunday, August 15, 1999	Sheet 1 of 1