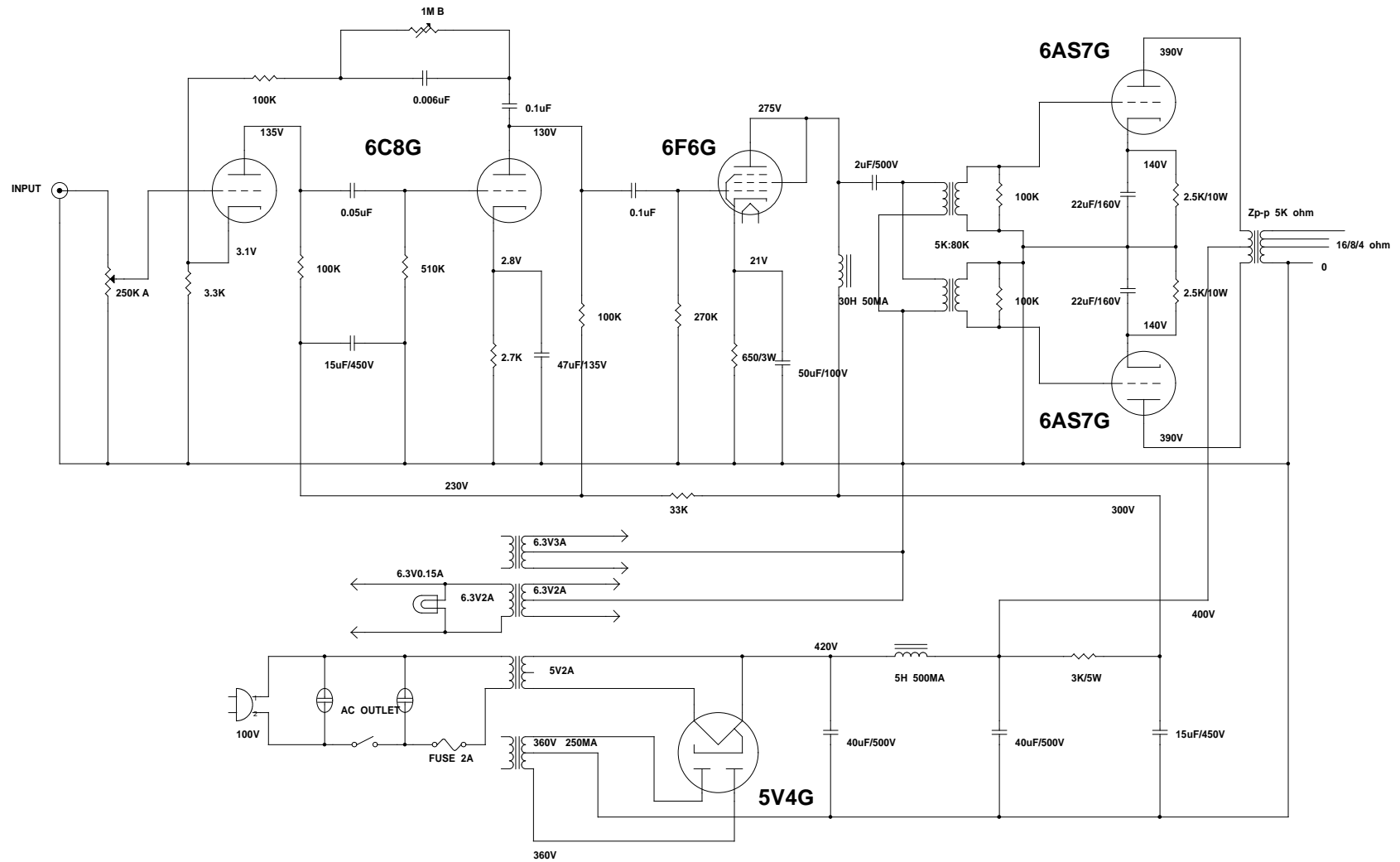


# 10W 6AS7G A1 PUSH-PULL POWER AMPLIFIER



Title		(Title)
Size	Document Number	Rev
C	(Doc)	(Rev Code)
Date	Monday, August 16, 1999	Sheet 1 of 1