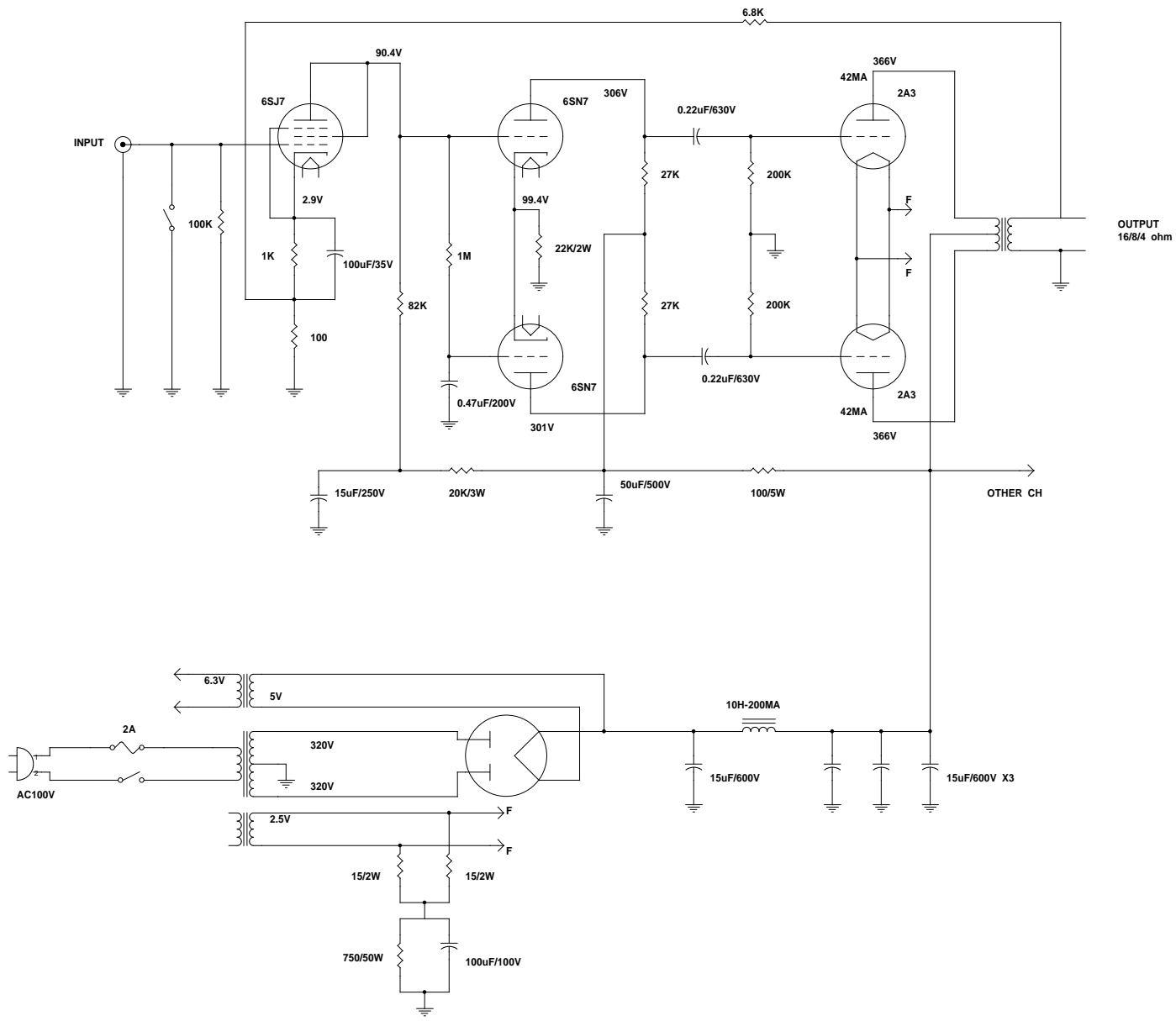


# 2A3 PUSH PULL POWER AMPLIFIER



Title		(Title)
Size	Document Number	Rev
C	(Doc)	(Rev C49)
Date	Saturday, August 14, 1990	Sheet 1 of 1