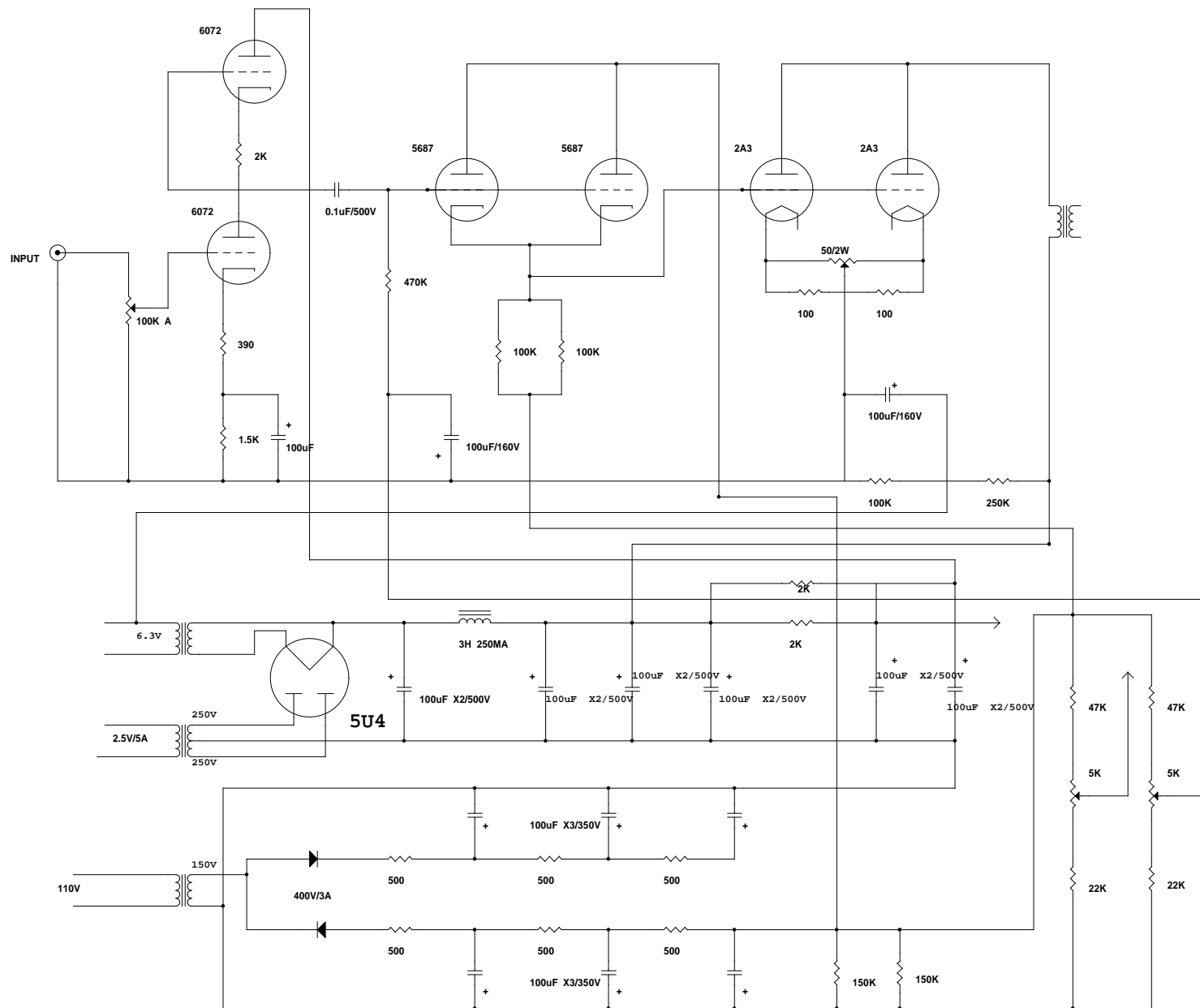


# 7.5W 2A3 PARALLEL SINGLE-END POWER AMPLIFIER



Title		(Title)
Size	Document Number	Rev
C	(Doc)	(Rev C04e)
Date	Monday, August 16, 1999	Sheet 1 of 1