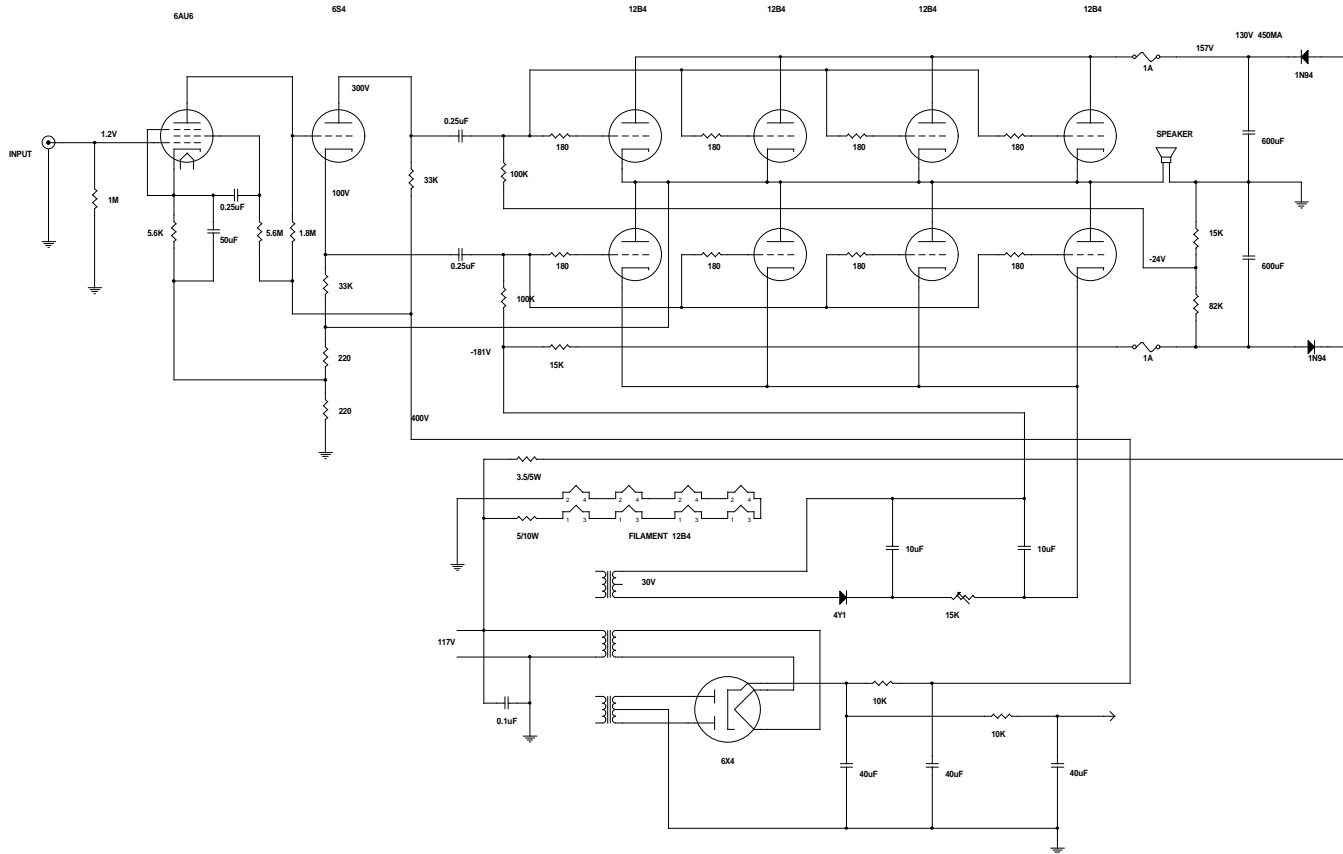


# 12B4 OUTPUT TRANSFORMERLESS POWER AMPLIFIER



DRIZONE	
File	(Title)
Job	Document Number
D	(Date)
Rev	Revision
1	1