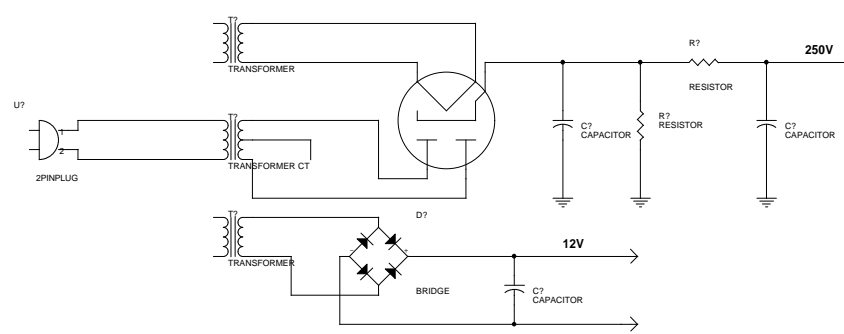
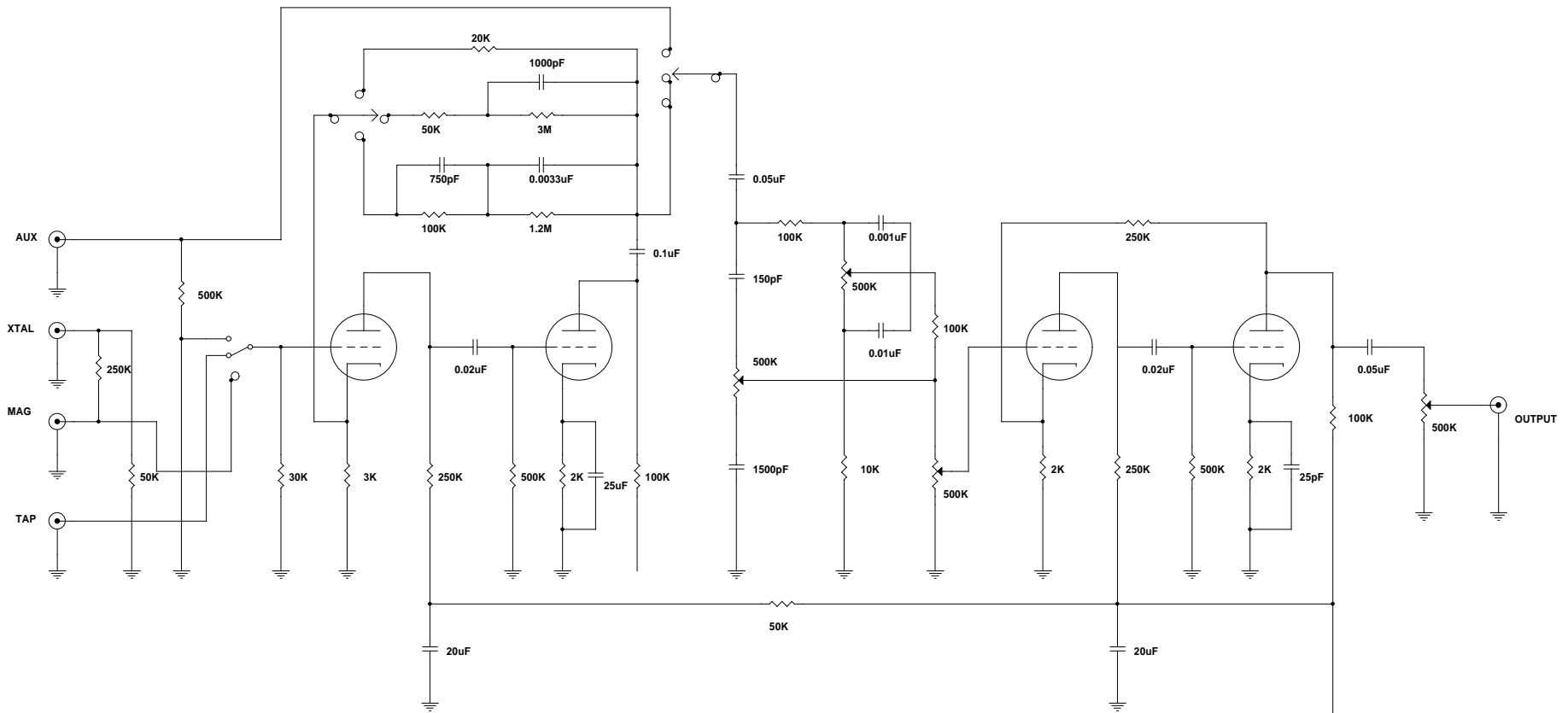


12AX7 PRE-AMPLIFIER



| | | |
|-------|-------------------------|--------------|
| Title | | (Title) |
| Size | Document Number | Rev |
| C | (Doc) | (Rev Code) |
| Date | Sunday, August 15, 1999 | Sheet 1 of 1 |